

# PROTECTA III E

Chalmit  
1

Ex e EMERGENCY  
FLUORESCENT



Utilising the same reliable design of the standard Protecta III, the emergency version also features intelligent battery and lamp management technology. The luminaire is capable of self commissioning and routine self-testing to ensure safe and dependable emergency operation.

A high emergency output version is also available that increases the lumen output in emergency mode.

Standard Specification		Features
Type of Protection	Ex e mb q (Increased safety Encapsulation Powder filling)	Ability to detect and indicate impending end of emergency lamp life before actual failure
ATEX Classification	Group II Category 2 GD	Battery management, monitoring and automatic self test
Area Classification	Zone 1 and 21 areas to EN 60079-10-1 and EN 60079-10-2 with installation to EN 60079-14	Emergency inhibition and mains power off re-start
Certificate	EC Type Examination Certificate Baseefa04ATEX0220	Automatic lamp de-energisation on opening
Coding	Ⓔ II 2 GD Ex e mb q IIC T4 Tamb 55°C	DTS-01 deluge tested
Enclosure	GRP body with polycarbonate cover and brass suspension points	Vibration tested to comply with Lloyds/DNV
Reflector/Geartray	White polyester painted zinc coated steel	End of life (EOL) protection to IEC 60079-7 (with EOL I and EOL II functionality)
Entry	4 x M20 cable entries, 2 at each end	
Termination	Quick release mains terminals - 4 core 4mm <sup>2</sup> max. conductor with looping and 16A rating through wiring. (6mm <sup>2</sup> terminations available - /SC option)	
Installation	Two M8 tapped brass inserts located on rear of body	
Control Gear	High Frequency	
Relamping	Quick release diffuser clamp and hinged cover	
Lampholder	G13 (Bi-pin)	
Burning Position	Universal	
Ingress Protection	IP66/67 to EN 60529	
Electrical Supply	220V - 254V 50/60Hz	
Battery	Internal Ni-Cd (6V)	
Duration	90 minutes to EN 60598-2-22	
Emergency Output	50% of one lamp (18W) 25% of one lamp (36W)	
		<b>International Approvals</b>
		ATEX, GB (China), GOST, CSA and CEPEL
		IECEx Compliant

# ATEX CATEGORY 2

# ZONE 1 & 21 APPLICATIONS

Chalmit

2

Std. Cat No.	Wattage	Lamp	TClass	T°C (Dust)	Ambient °C	Weight
PRGE/218/BI/EM	2x18W	T8	T4	85	-20 to +55	8.3kg
PRGE/236/BI/EM	2x36W	T8	T4	85	-20 to +55	12.4kg

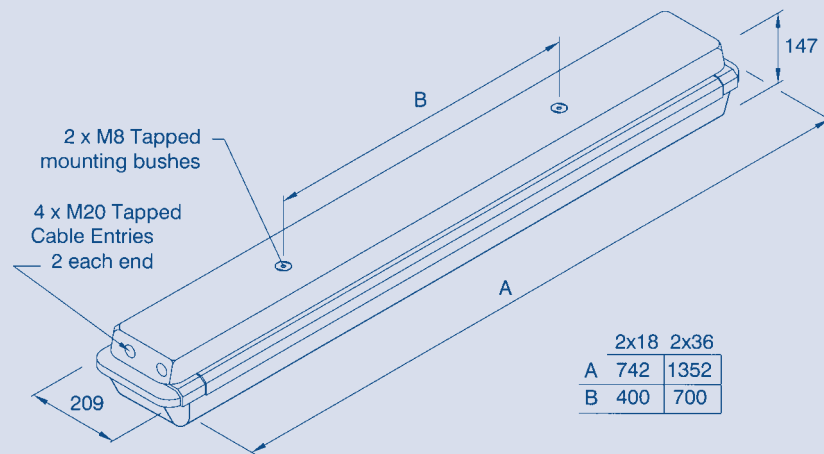
PRGE/218/MO/EM	2x18W	T8	T4	85	-20 to +55	8.3kg
PRGE/236/MO/EM	2x36W	T8	T4	85	-20 to +55	12.4kg

MO - Mono-pin (Fa6 Cap) Lamps. Mono-pin Coding: Ex d e mb q IIC.

### Options – Suffix to Catalogue No.

<b>/120</b>	Specific voltage (110/130)	<b>/LBE</b>	Looping both ends
<b>/M25</b>	M25 cable entries	<b>/HEO</b>	High emergency output - 45% (36W only)
<b>/SC</b>	Screwed connection terminal block (up to 6mm <sup>2</sup> conductors)	<b>/3H</b>	3 hour battery duration*
<b>/SB</b>	Stainless steel mounting bush	<b>/RI</b>	Remote emergency inhibition facility (External switch ordered separately)
<b>/3P</b>	3 phase termination facility (Not available if looping required)	<b>/SE</b>	Spigot entry

\* 18W = 30% of one lamp, 36W = 25% of one lamp



Accessories Should be ordered separately

Catalogue Order Code

Pole mounting bracket assembly (38-42mm diameter poles)	SPOL4-100001
Pole mounting bracket assembly (48-52mm diameter poles)	SPOL4-100002
Pole mounting bracket assembly (58-62mm diameter poles)	SPOL4-100003
Hook type ceiling bracket assembly	SPRO4-0005
Ceiling mounting bracket assembly	SPRO4-0002
Eyebolt mounting assembly	SPRO5-0005
Flush mounting wall bracket assembly	SPRO4-0006
Looping kit (allows looping from both ends of luminaire)	SPROT-0021
Remote Ex switch for emergency inhibition (1 switch controls up to 10 luminaires)	SPROT-0033

# PROTECTA III

Chalmit

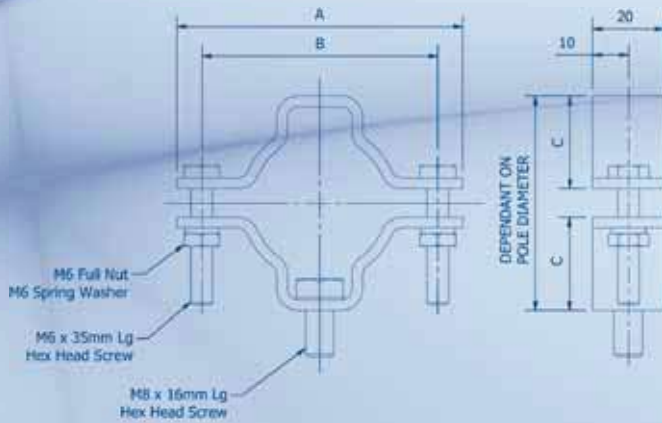
3

## Pole Mounting Bracket Assembly

Cat No. SPOL4-100001/100002/100003



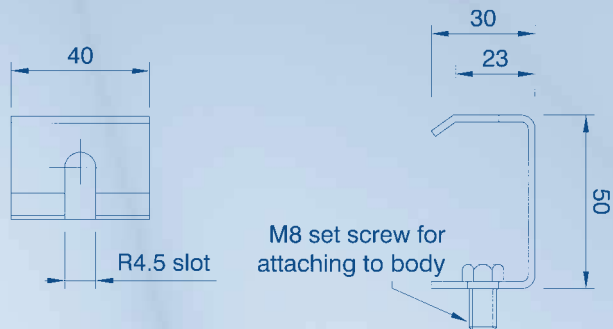
Pole mounting bracket to suit pole diameter  
 (38-42mm) SPOL4-100001  
 (48-52mm) SPOL4-100002  
 (58-62mm) SPOL4-100003



PART DETAILS				
Part Code	Part Description	A	B	C
SPOL4-100001	PROTECTA 38-42 P/M ASSY	80mm	66mm	26mm
SPOL4-100002	PROTECTA 48-52 P/M ASSY	90mm	76mm	32mm
SPOL4-100003	PROTECTA 58-62 P/M ASSY	96mm	80mm	38mm

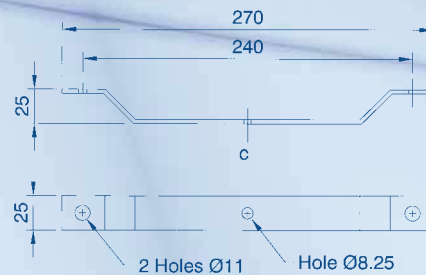
## Hook Type Ceiling Bracket Assembly

Cat No. SPRO4-0005



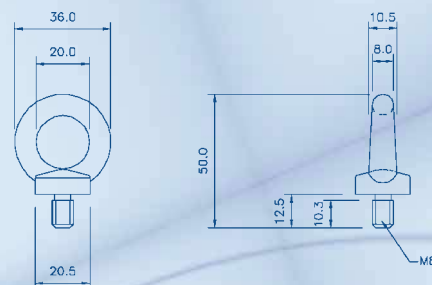
## Ceiling Mounting Bracket Assembly

Cat No. SPRO4-0002



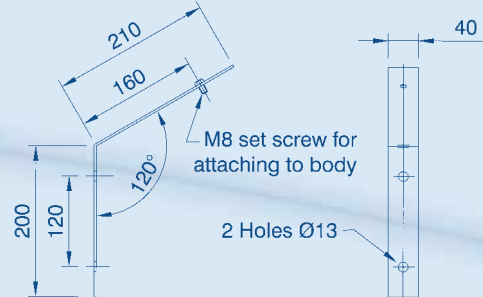
## Eyelet Mounting Assembly

Cat No. SPRO5-0005



Flush Mounting Wall Bracket Assembly

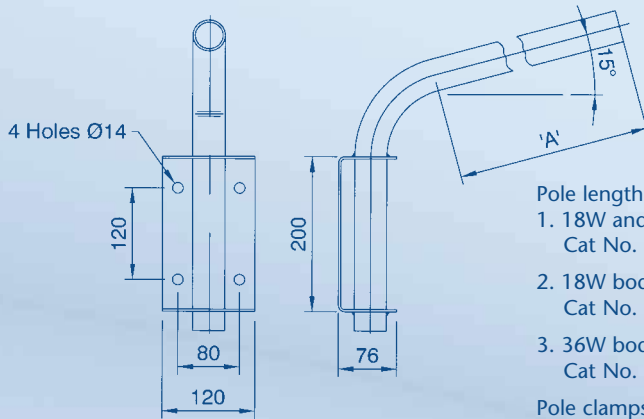
Cat No. SPRO4-0006



Note: All brackets are made from 316 Stainless Steel

Wall Mounting Outreach Bracket

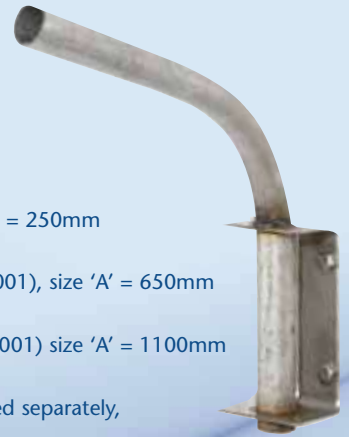
Cat No. NPRO4-0007/0008/0012



Pole length 'A' for use with the following:

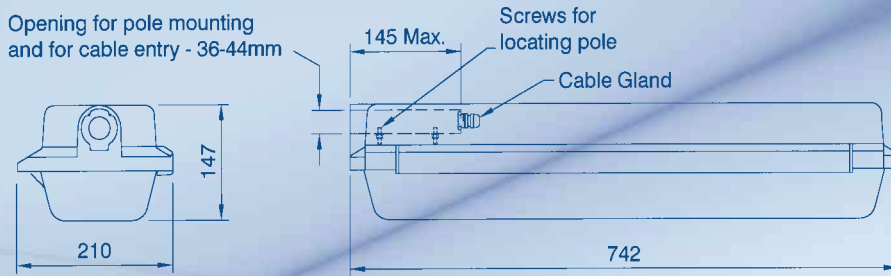
1. 18W and 36W spigot entry body, size 'A' = 250mm  
Cat No. NPRO4-0007
2. 18W body c/w pole clamps (SPOL4-100001), size 'A' = 650mm  
Cat No. NPRO4-0008
3. 36W body c/w pole clamps, (SPOL4-100001) size 'A' = 1100mm  
Cat No. NPRO4-0012

Pole clamps for items 2 & 3 must be ordered separately, see SPOL4-100001



18W Spigot Entry

Cat No. PRGE/218/BI/SE



36W Spigot Entry

Cat No. PRGE/236/BI/SE

