



DNH

HEAD OFFICE, NORWAY
DNH AS

Phone..... + 47 35 98 56 00
Fax..... + 47 35 98 56 10
E-mail..... dnh@dnh.no
Web-site..... www.dnh.no

ENGLAND

DNH WW Ltd

Phone..... + 44 1908 275 000
Fax..... + 44 1908 275 100
E-mail..... dnh@dnh.co.uk

GERMANY

DNH GmbH

Phone... + 49 040 6569 30-0
Fax..... + 49 040 6569 30-30
E-mail..... dnh@dnh.de

USA

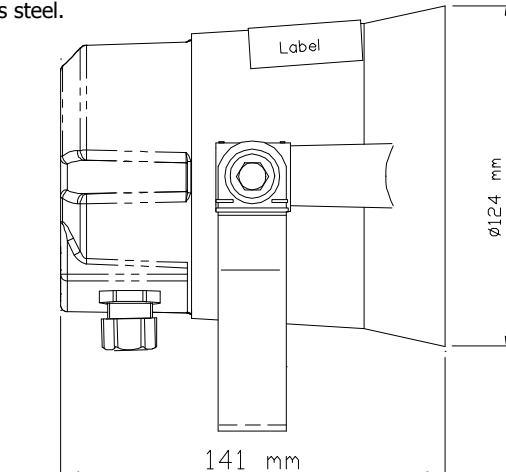
DNH Speakers Inc

Phone..... + 1 484 494 5790
Fax..... + 1 484 494 5793
E-mail..... dnh@dnhspeakers.com

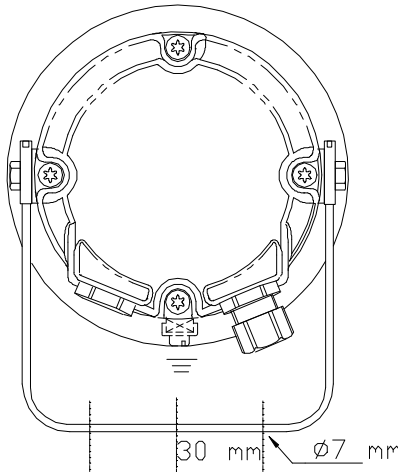
ISO 9001 CERTIFIED

HS-8EEXmN(T)

Bracket and all outside nuts and screws in stainless steel.



Ex II 2G Ex d e mb IIC T6 Gb -50°C ≤ Ta +50°C
II 2D Ex tb IIIC T80°C



Ex II 2G Ex d e mb IIB+H2 T6 Gb -50°C ≤ Ta +50°C
II 2D Ex tb IIIC T80°C

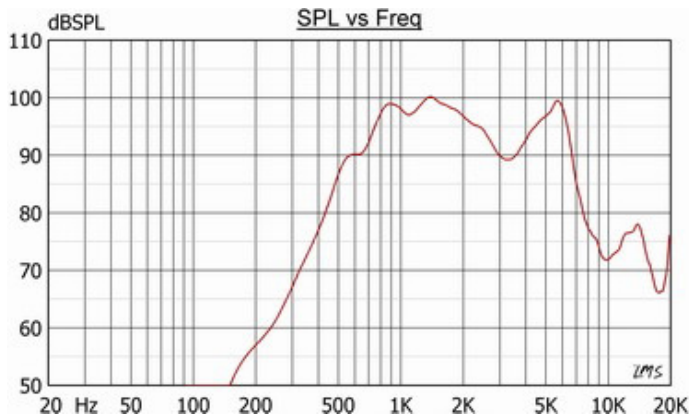
Transformer:
100 V line (70V, 50V)

Primary nominal
tappings:
1 : 2 8,0 W
1 : 3 4,0 W
1 : 4 2,0 W

Delivered with 1 x M20 Ex ATEX approved cable gland and 1 x M20 Ex ATEX approved blind plug
Cable diameter 8 - 13 mm

Sound pressure levels at different frequencies at 1W/1m

IIB IIC



Material / Color ... Aluminum alloy SS4263 / RAL 7035
Mounting Bracket
Termination e-chamber, screw terminals
Weight w/ transformer 2,0 kg
IP-rating 67
Max / min amb temp 50 °C / -50 °C
Rated / max. power 8 W / 8 W
SPL 1W/1m 100 dB 94 dB
SPL rated power 108 dB 102 dB
Effective freq range 550 – 7000 Hz 650-7000
Dispersion (-6dB) 1kHz / 4kHz 160° / 45° 105° / 35°
Options Impedances, colors, labels

Installation, Operation and Maintenance Procedures

- When mounting the loudspeaker please ensure that it is re-assembled in the same manner in which it was received. Fasten the bracket with 2 screws and ensure to use all washers in the intended position. (To isolate the main body from the bracket)
- To change the position of the loudspeaker, please adjust the bracket (by loosening / tightening the screws) as required.
- For optimum performance, always use the correct voltage / power and operate within the frequency limits as stated.
- Use only certified/specified cable glands and blanking plugs, reflecting the same IP rating and temperature range as the loudspeaker.
- WARNING : Do not open loudspeaker when energized.
- The loudspeaker should be checked on a regular basis to avoid any build up of debris.
- The aluminum surface of the loudspeaker should be regularly treated with paint at the same interval as with other similar outdoor equipment.
- Fasten lid with a torque of 2 - 3 Nm to assure the IP rating.
- If the Ex-loudspeaker is to be earthed, it must be done correctly using the specially marked screws.
- This loudspeaker is supplied with a 2 year warranty against defective materials and workmanship.

