



DNH

HEAD OFFICE, NORWAY
DNH AS

Phone..... + 47 35 98 56 00
Fax..... + 47 35 98 56 10
E-mail..... dnh@dnh.no
Web-site..... www.dnh.no

ENGLAND
DNH WW Ltd

Phone..... + 44 1908 275 000
Fax..... + 44 1908 275 100
E-mail..... dnh@dnh.co.uk

GERMANY
DNH GmbH

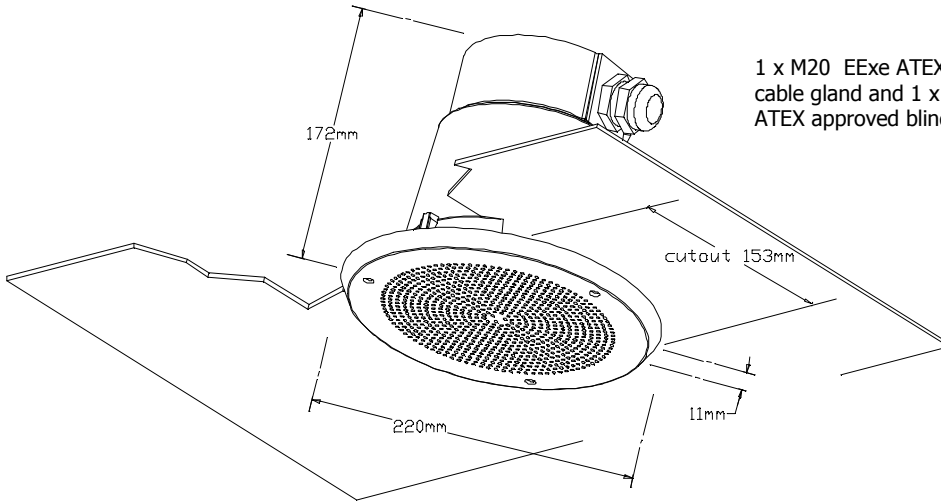
Phone... + 49 040 6569 30-0
Fax..... + 49 040 6569 30-30
E-mail..... dnh@dnh.de

BA-56EExN(T)

USA
DNH Speakers Inc

Phone..... + 1 484 494 5790
Fax..... + 1 484 494 5793
E-mail..dnh@dnhspeakers.com

ISO 9001 CERTIFIED



1 x M20 EExe ATEX approved cable gland and 1 x M20 EExe ATEX approved blind plug.

Transformer:
100 Volt line

Primary nominal
tappings:

1 : 2	6,0 W
2 : 3	3,0 W
3 : 4	1,5 W
1 : 3	1,0 W
2 : 4	0,5 W
1 : 4	0,3 W

1 = Red, 2 = Yellow
3 = Green, 4 = Blue

Certified by/ Certification code / Number : NEMKO / EEx de IIB+H2 T6 / 01 ATEX 122

Sound pressure levels at different frequencies at 1W/1m

SPL vs Freq



Material / ColorAluminum / RAL 9010
Mounting..... 3 screws
Termination..... e-chamber, screw terminals
Weight 3,0 kg
IP-rating (e-chamber)..... 54
Max. / min. amb. temp 50°C / -20°C
Standard version..... 100 V transformer
Rated / max. power..... 6 W / 6 W
SPL 1W/1m 88 dB
SPL rated power..... 95 dB
Effective freq. range..... 160 – 15000 Hz
Dispersion (-6dB) 1kHz / 4kHz..... 120° / 55°
Options Impedances, colors, labels

Installation, Operation and Maintenance Procedures

- When mounting the loudspeaker please ensure that it is re-assembled in the same manner in which it was received.
- Enter the e-chamber by loosening the screws on the lid and terminate cable in the screw terminal.
- If earthing, earth correctly using the specially marked screws.
- Fasten lid screws with a torque of 2 - 3 Nm to assure the IP rating.
- Secure the loudspeaker to ceiling or wall by 3 screws and then mount the grill to the speaker with 3 screws (enclosed).
- For optimum performance, always use the correct voltage / power and operate within the frequency limits as stated.
- Use only certified/specified cable glands and blanking plugs.
- Do not open loudspeaker when energized.
- This loudspeaker is supplied with a 2-year warranty against defective workmanship.

