



DNH

HEAD OFFICE, NORWAY
DNH AS

Phone..... + 47 35 98 56 00
Fax..... + 47 35 98 56 10
E-mail..... dnh@dnh.no
Web-site..... www.dnh.no

ENGLAND
DNH WW Ltd

Phone..... + 44 1908 275 000
Fax..... + 44 1908 275 100
E-mail..... dnh@dnh.co.uk

GERMANY
DNH GmbH

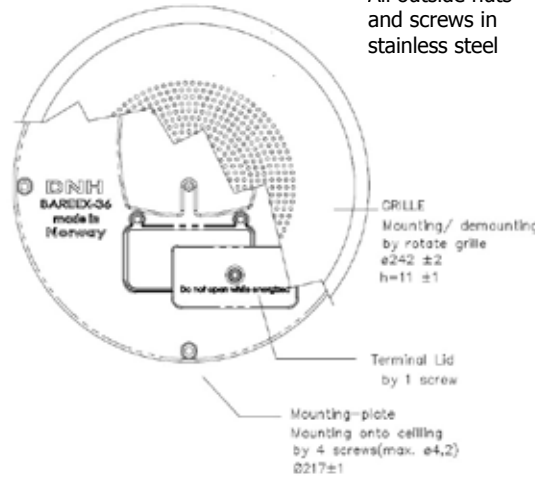
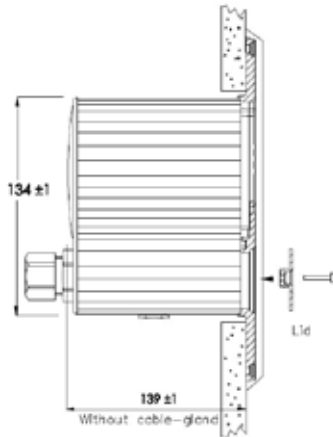
Phone... + 49 040 6569 30-0
Fax..... + 49 040 6569 30-30
E-mail..... dnh@dnh.de

BAREEx-36(T)

USA
DNH Speakers Inc

Phone..... + 1 484 494 5790
Fax..... + 1 484 494 5793
E-mail..dnh@dnhspeakers.com

ISO 9001 CERTIFIED



Transformer:
100 V line (optional 70V, 50V)

Primary nominal tapings:

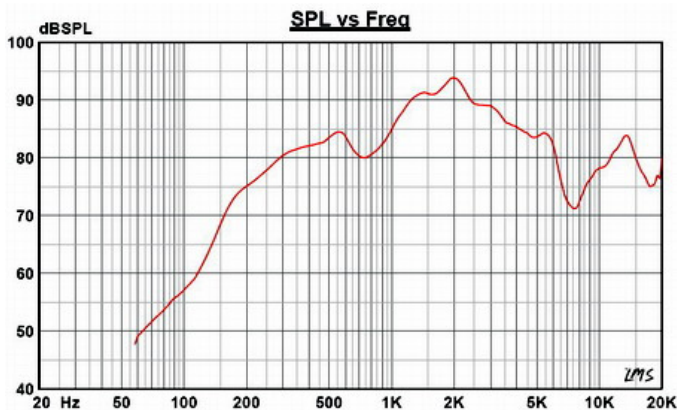
1 : 2	6,0W
2 : 3	3,0W
3 : 4	1,5W
1 : 3	1,0W
2 : 4	0,6W
1 : 4	0,4W

1 = Red, 2 = Yellow
3 = Green, 4 = Blue

M20 blanking plug and
M20 cable gland.
Min / max. cable
diameter: 10 mm / 15

Certified by/ Certification code / Number : NEMKO / EEx de IIB+H2 T6 / Nemko 07 ATEX 1019

Sound pressure levels at different frequencies at 1W/1m



- Material / Color Aluminum / anodized
- Mounting..... 4 screws
- Termination..... e-chamber, screw terminals
- Weight w/ transformer 2,35 kg
- IP-rating (e-chamber)..... 67
- Max / min amb temp 40°C / -20°C
- Rated / max power..... 6 W / 6 W
- SPL 1W/1m 85 dB
- SPL rated power..... 92 dB
- Effective freq range..... 180 – 15000 Hz
- Dispersion (-6dB) 1kHz / 4kHz..... ° / °
- Options Impedances, colors, labels

Installation, Operation and Maintenance Procedures

- When mounting the loudspeaker please ensure that it is re-assembled in the same manner in which it was received.
- Enter the e-chamber by loosening the screws on the lid and terminate the cable in the screw terminal.
- Fasten lid screws with a torque of 1 – 1.5 Nm to assure the IP rating.
- For optimum performance, always use the correct voltage / power and operate within the frequency limits as stated.
- Use only certified/specified cable glands and blanking plugs.
- Do not open loudspeaker when energized.
- Ex-loudspeakers must be earthed correctly using the specially marked screws.
- This loudspeaker is supplied with a 2 year warranty against defective materials and workmanship.

