



ISO 9001 CERTIFIED

DNH AS

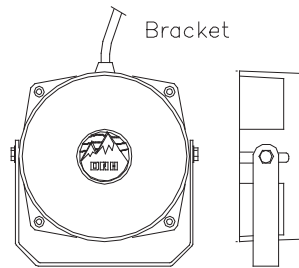
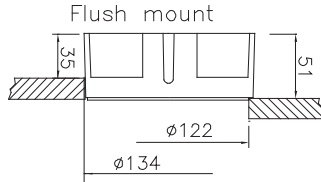
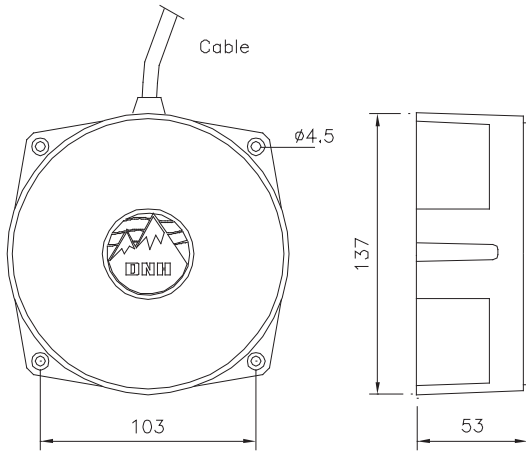
**N-3770 Kragerø
NORWAY**
Phone: (47) 35 98 56 00
Fax: (47) 35 98 56 10
E-mail: dnh@dnh.no
Web-site: **www.dnh.no**

**DNH WW Ltd.
England**
Phone:.....(44) 1908 275 000
Fax:.....(44) 1908 275 100
E-mail:.....dnh@dnh.co.uk

CM-6EExmN (T)

**DNH GmbH
Germany**
Phone:.....(49) 040 6569 30-0
Fax:.....(49) 040 6569 30-30
E-mail:.....dnh@dnh.de

**DNH
Speakers Inc.
USA**
Phone:.....(1) 484 494 5790
Fax:.....(1) 484 494 5793
E-mail:.....dnh@dnhspeakers.com



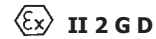
Transformer:
100 V line (optional 70V, 50V)

Primary nominal tapings:
1 : 2 6,0 W
1 : 3 3,0 W
1 : 4 1,5 W

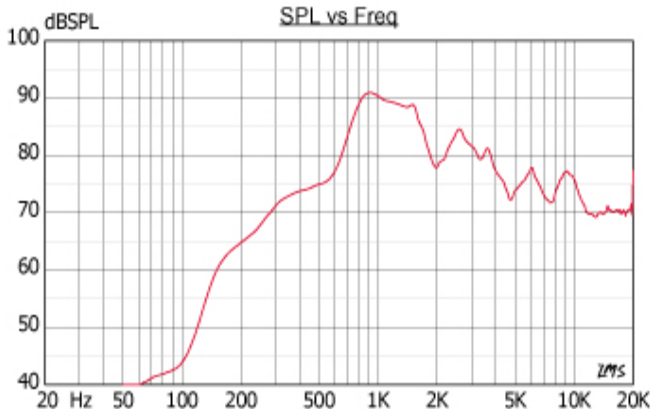
Screen = Earth connection

Certified by / Certification code / Number:

NEMKO / EEx m II T6 / 03 ATEX 202x



Sound pressure levels at different frequencies at 1W/1m sine wave.



Material / Color Anti-static polyamide / Black
Mounting..... 4 screws or bracket
Termination..... Radox Cable, 1,5 m
Weight w/ transformer 2,5 kg
IP-rating 67
Max / min amb temp 40°C / -20°C
Max power 6 W
SPL 1W/1m 85 dB
SPL rated power 93 dB
Effective freq range..... 300 – 20000 Hz
Dispersion (-6dB) 1kHz / 4kHz..... 180° / 130°
Directivity factor, Q
OptionsImpedance, color, label

Installation, Operation and Maintenance Procedures

- Use 4 screws for mounting on wall, alternative flush mounting.
- When mounting with bracket, use the slit on each side to connect the bracket to the loudspeaker.
- For optimum performance, always use the correct voltage / power and operate within the frequency limits as stated.
- CM-6 EExmN (T) is designed for Ex- clean room applications.
- Special conditions for safe use:** Resistance to impact 4 Joule due to low risk of mechanical danger. The equipment is delivered with the supply cable permanently connected to it. The free end needs to be appropriately protected.
- This loudspeaker is supplied with a 2 year warranty against defective materials and workmanship.