



DNH

HEAD OFFICE, NORWAY
DNH AS

Phone..... + 47 35 98 56 00
Fax..... + 47 35 98 56 10
E-mail..... dnh@dnh.no
Web-site..... www.dnh.no

ENGLAND
DNH WW Ltd

Phone..... + 44 1908 275 000
Fax..... + 44 1908 275 100
E-mail..... dnh@dnh.co.uk

GERMANY
DNH GmbH

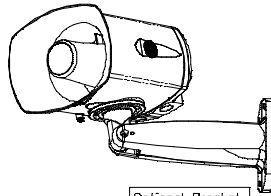
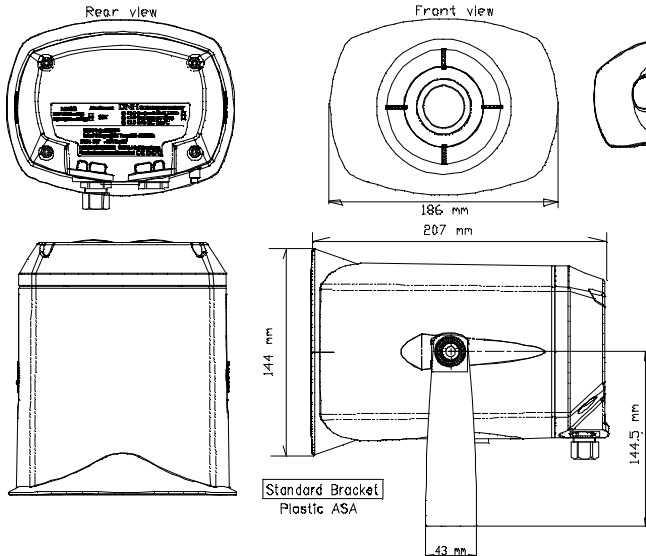
Phone... + 49 040 6569 30-0
Fax..... + 49 040 6569 30-30
E-mail..... dnh@dnh.de

USA
DNH Speakers Inc

Phone..... + 1 484 494 5790
Fax..... + 1 484 494 5793
E-mail..... dnh@dnhspeakers.com

DSP-15 EExmN (T)

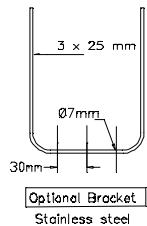
ISO 9001 CERTIFIED



Optional Bracket
Antistatic plastic

Model: DSP-15EExmN(T)
MaxPower: 30W
DNH 3770 Kragerø Norway
 Ⓢ I 2 G Ex d emb IIB+H, T4 Gb
 Ⓢ I 2 G Ex d emb IIC T4 Gb
 Ⓢ I 2 D Ex tb IIC T105 c
 Rated current: 0.25 A
 Rated Voltage: 100V Freq: 150-20000Hz
 IP66 & IP67 -50°C to +50°C
 Namko 09ATEX1322 Ser.no.: Outside enclosure
 Warning: Do not open while energized 0470

M20 EExe ATEX approved cable gland and M20 EExe ATEX approved blinding plug



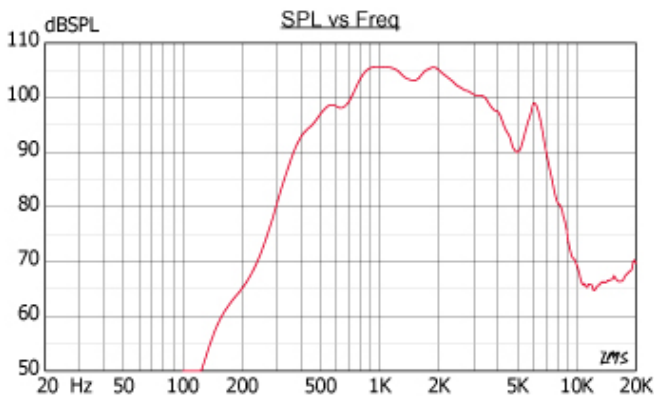
Optional Bracket
Stainless steel

Transformer: 100 V line

Primary nominal tapings:

1 : 2	25,0 W
2 : 3	15,0 W
3 : 4	6,5 W
1 : 3	5,0 W
2 : 4	2,5 W
1 : 4	1,5 W

SPL at 1W/1m Sine wave



IIB IIC

Material / Color	Anti-static PA / Black
Mounting	Bracket
Termination	e-chamber, push terminals
Weight w/ transformer	2,2 kg
IP-rating	66/ 67
Max / min amb temp	50°C / -50°C
Rated / max. power	25 W / 30 W
SPL 1W/1m	105 dB 102 dB
SPL rated power 15 W ver	116 dB 113 dB
SPL rated power 25W Ver	118 dB 116 dB
Effective freq range	380 – 7000 Hz 450-6000
Dispersion (-6dB) 1kHz / 4kHz	200° / 50° 105° / 35°
Directivity factor, Q (1 kHz)	1,8

Installation, Operation and Maintenance Procedures

- When mounting the loudspeaker please ensure that it is re-assembled in the same manner in which it was received.
- To change the position of the loudspeaker, please adjust the bracket (by loosening / tightening the screws) as required.
- Use only certified/specified cable glands and blanking plugs, reflecting the same IP rating and temperature range as the loudspeaker.
- DSP-15 EExmN/T can be supplied with different bracket systems, according to customer requirements.
- For optimum performance, always use the correct voltage / power and operate within the frequency limits as stated.
- Options: Impedances and labels
- Use only certified/specified cable glands and blanking plugs.
- WARNING : Do not open loudspeaker when energized.
- Fasten lid with a torque of 2 - 3 Nm.
- This loudspeaker is supplied with a 2 year warranty against defective materials and workmanship.

