



DNH

HEAD OFFICE, NORWAY
DNH AS

Phone..... + 47 35 98 56 00
Fax..... + 47 35 98 56 10
E-mail..... dnh@dnh.no
Web-site..... www.dnh.no

ENGLAND

DNH WW Ltd

Phone..... + 44 1908 275 000
Fax..... + 44 1908 275 100
E-mail..... dnh@dnh.co.uk

GERMANY

DNH GmbH

Phone... + 49 040 6569 30-0
Fax..... + 49 040 6569 30-30
E-mail..... dnh@dnh.de

USA

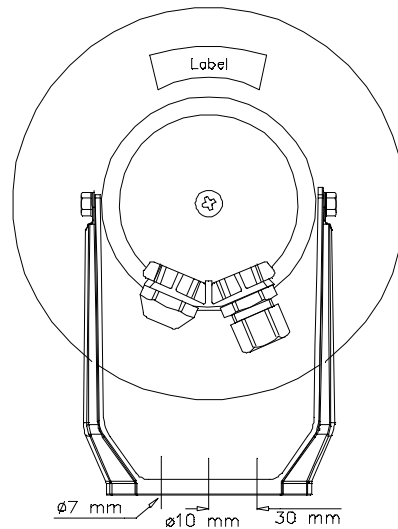
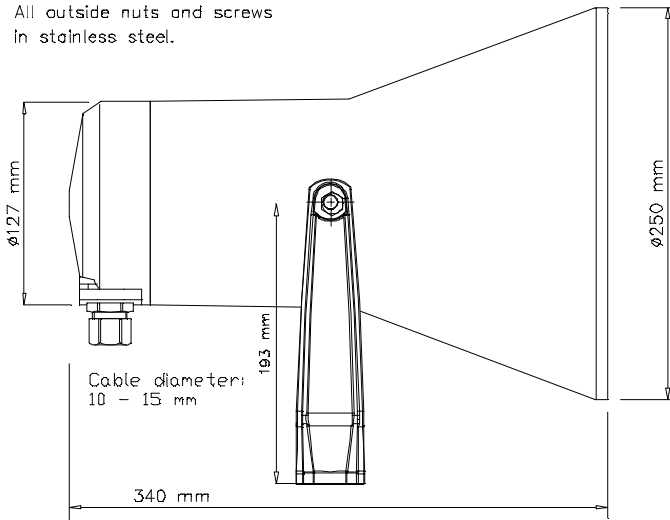
DNH Speakers Inc

Phone..... + 1 484 494 5790
Fax..... + 1 484 494 5793
E-mail..dnh@dnhspeakers.com

DSP-25 EExmN(T)

ISO 9001 CERTIFIED

All outside nuts and screws
in stainless steel.



Transformer:
100 V line (optional 70V, 50V)

Primary nominal tapings:

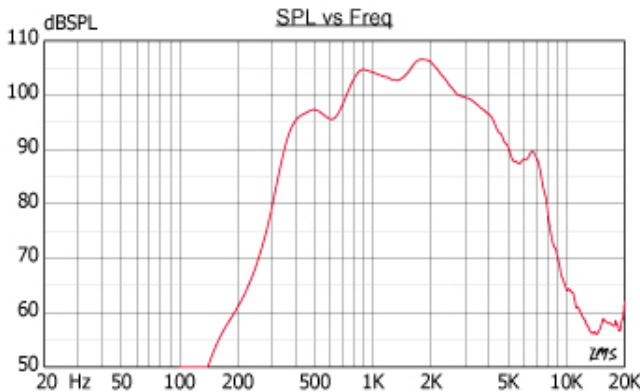
1 : 2	25,0 W
2 : 3	12,5 W
3 : 4	6,0 W
1 : 3	4,0 W
2 : 4	2,0 W
1 : 4	1,0 W

1 x M20 plastic EEx
ATEX cable gland and
1 x M20 EEx ATEX
blanking plug

Certified by / Certification code / Number: NEMKO / Ex d e mb IIB+H₂/IIC T5 Gb / 10ATEX1053
Certified by / Certification code / Number: NEMKO / Ex tb IIIC T89°C / 10ATEX1053



SPL at 1W/1m sine wave



Material / Color.....Anti-static polyamide / Black
Mounting Bracket
Termination e-chamber, screw terminals
Weight4,0 kg
IP-rating (e-chamber) 66
Max / min amb temp..... 55 °C / -53 °C
Rated / max power 25 W / 25 W
SPL 1W/1m.....106 dB
SPL rated power117 dB
Effective freq range370 – 7000 Hz
Dispersion (-6dB) 1kHz / 4kHz 110° / 30°
Options..... Impedance, moulded permanent cable, labels

IIB IIC

102 dB
113 dB
400-7000
100° / 30°

Installation, Operation and Maintenance Procedures

- When mounting the loudspeaker please ensure that it is re-assembled in the same manner in which it was received. Fasten bracket with 2-3 screws.
- To change the position of the loudspeaker, please adjust the bracket (by loosening / tightening the screws) as required.
- For optimum performance, always use the correct voltage / power and operate within the frequency limits as stated.
- Use only certified/specified cable glands and blanking plugs.
- Do not open loudspeaker when energized.
- Fasten lid with a torque of 1 - 2 Nm.
- This loudspeaker is supplied with a 2 year warranty against defective materials and workmanship.

