



DNH

HEAD OFFICE, NORWAY
DNH AS

Phone..... + 47 35 98 56 00
Fax..... + 47 35 98 56 10
E-mail..... dnh@dnh.no
Web-site..... www.dnh.no

ENGLAND
DNH WW Ltd

Phone..... + 44 1908 275 000
Fax..... + 44 1908 275 100
E-mail..... dnh@dnh.co.uk

GERMANY
DNH GmbH

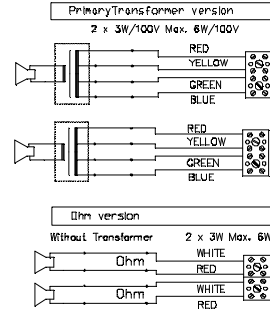
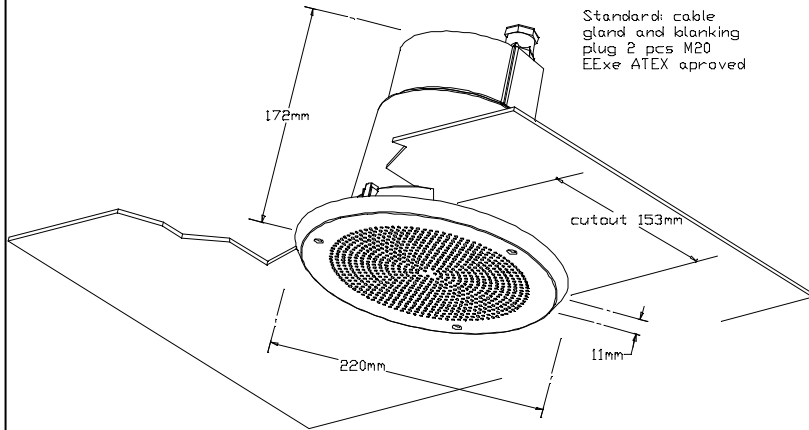
Phone... + 49 040 6569 30-0
Fax..... + 49 040 6569 30-30
E-mail..... dnh@dnh.de

USA
DNH Speakers Inc

Phone..... + 1 484 494 5790
Fax..... + 1 484 494 5793
E-mail..dnh@dnhspeakers.com

ISO 9001 CERTIFIED

BA-56 EExeN(T) X 2



Transformer:
100 Volt line

Primary nominal
tappings:

1 : 2 = 3 W
1 : 3 = 1,5 W
1 : 4 = 0,75 W

1 = Red, 2 = Yellow
3 = Green, 4 = Blue

Nemko 10ATEX1050:  II2G Ex de IIB+H2 T6 Gb -20°C ≤ Ta +50°C

SPL at 1W/1m Sine wave 2 x 2,5" element

SPL vs Freq



Material / Color Aluminum / RAL 9010
Mounting 3 screws
Termination e-chamber, screw terminals
Weight w/ transformer 3,8 kg
IP-rating (e-chamber) 54
Max / min amb temp..... 50°C / -20°C
Rated / max power 3 W / 2x3 W
SPL 1W/1m 83 dB
SPL rated power 87 dB
Effective freq range 190 – 20000 Hz
Dispersion (-6dB) 1kHz / 4kHz
Options..... Impedance, color, label

Installation, Operation and Maintenance Procedures

- Two separate loudspeakers, two transformers and two terminals in one Ex housing. (A & B system)
- Connect the speakers to the same phase.
- When mounting the loudspeaker, please ensure that it is re-assembled in the same manner in which it was received
- Do **not** open loudspeaker when energized.
- Enter the e-chamber by loosening the screws on the lid and terminate cable in the screw terminal.
- If earthing, earth correctly using the specially marked screws.
- Fasten lid screws with a torque of 2 – 3 Nm to assure the IP rating.
- Secure the loudspeaker to ceiling or wall by 3 screws and then mount the grill to the speaker with 3 screws (enclosed).
- For optimum performance, always use the correct voltage / power and operate within the frequency limits as stated.
- Use only certified / specified cable glands and blanking plugs.
- This loudspeaker is supplied with a 2-year warranty against defective workmanship.

