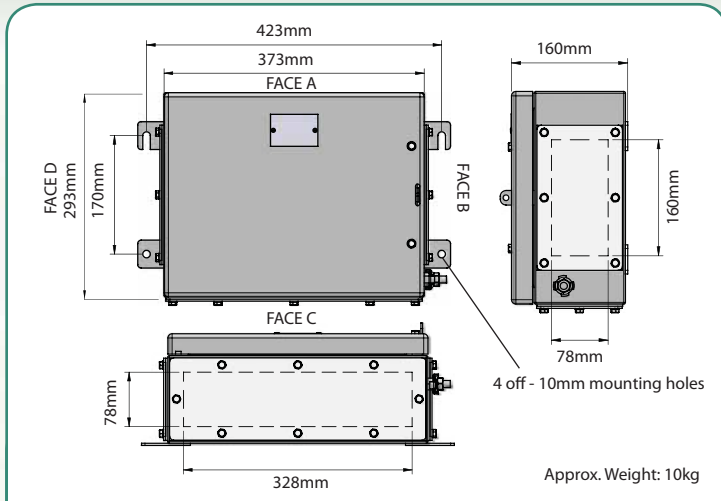


Enclosure Type: Size 2L (S2L) Stainless Steel

Increased Safety Exe Dual Certified ATEX / IECEx

S Series Enclosures



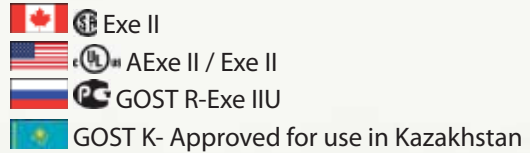
MAXIMUM QUANTITY OF ENTRIES PER FACE

Thread Size	M16	M20 / O	M20 / A	M25	M32	M40	M50
Bottom Face C Qty.	26 #	18	18	11	6	5	4 *
Side Faces B & D Qty.	11 #	8	8	5	3	2	2

Serrated Washers / Locknuts with large outside diameters may foul on adjacent glands.
* Serrated Washers / Locknuts must not foul on aperture wall.

Technical Data

- Increased Safety Ex II 2 GD Exe II ExtD.
- Size 2L (S2L) Certificate No's: Baseefa08ATEX0208X and IECEx BAS 08.0065X.
- Z Size 2L (ZS2L) Certificate No's: Baseefa08ATEX0207U and IECEx BAS 08.0064U.
- Suitable for use in Zone 1, Zone 2, Zone 21 and Zone 22.
- Construction and Test Standards: IEC/EN 60079-0, IEC/EN 60079-7, IEC/EN 61241-0 and IEC/EN 61241-1.
- Ingress Protection: IP66 to IEC/EN 60529.
- Deluge Protection to DTS01.
- Operating Temperature Range: -60°C to +80°C.
- Temperature Class and Ambient: T6 40°C, optional T5 with ambients up to 65°C.
- Size 2L (S2L) Assembly Instruction Sheet: AI 266.
- Z Size 2L (ZS2L) Assembly Instruction Sheet: AI 267.
- 210mm deep option available.
- Alternative certification options available:



For full technical specification, see Page 32

TERMINAL CAPACITY

Terminal Type	Conductor Size (mm ²)		Max. Volts	Max. Physical Terminal Content		Reduced Terminal Content at Max. Terminal Amps	
	Min.	Max.		Terminal Qty.	Amps	Terminal Qty.	Amps
WDU 2.5	0.5	2.5	550	117	6	15	17
WDU 4	0.5	4	690	75	9	14	22
WDU 6	0.5	6	550	63	12	11	29
WDU 10	1.5	10	550	54	17	10	40
WDU 16	1.5	16	690	42	24	8	53
WDU 35	2.5	35	690	30	40	6	87
WDU 50N	6	50	690	24	53	8	88
WDU 70N	10	70	690	16	16	5	134
WFF 35	2.5	35	1100	6	76	6	76

Notes: For Junction Box Wattage Factor and Combined Terminal Resistance, see Pages 43 & 44
The box is supplied with an integral internal / external earth stud assembly.
The terminals listed are restricted to a minimum operating temperature of -50°C.