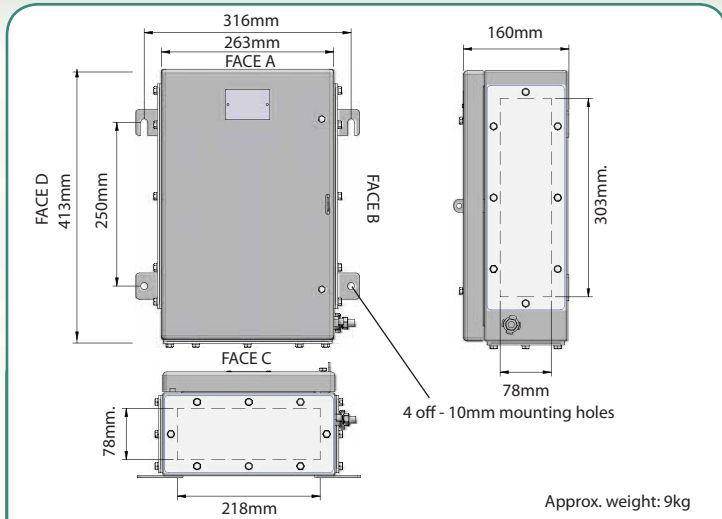


S Series Enclosures

Enclosure Type: Size 3 (S3) Stainless Steel

Increased Safety Exe Dual Certified ATEX / IECEx



MAXIMUM QUANTITY OF ENTRIES PER FACE

Thread Size	M16	M20 / O	M20 / A	M25	M32	M40	M50
Bottom Face C Qty.	17 #	12	12	7	4	3	2
Side Faces B & D Qty.	23 #	16	16	9	5	4	3

Serrated Washers / Locknuts with large outside diameters may foul on adjacent glands.

Technical Data

- Increased Safety Exe II 2 GD Exe II ExtD A21.
- Size 3 (S3) Certificate No's: Baseefa08ATEX0208X and IECEx BAS 08.0065X.
- Z Size 3 (ZS3) Certificate No's: Baseefa08ATEX0207U and IECEx BAS 08.0064U.
- Suitable for use in Zone 1, Zone 2, Zone 21 and Zone 22.
- Construction and Test Standards: IEC/EN 60079-0, IEC/EN 60079-7, IEC/EN 61241-0 and IEC/EN 61241-1.
- Ingress Protection: IP66 to IEC/EN 60529.
- Deluge Protection to DTS01.
- Operating Temperature Range: -60°C to +80°C.
- Temperature Class and Ambient: T6 40°C, optional T5 with ambients up to 65°C.
- Size 3 (S3) Assembly Instruction Sheet: AI 266.
- Z Size 3 (ZS3) Assembly Instruction Sheet: AI 267.
- 210mm deep option available.
- Alternative certification options available:

- Exe II
- AExe II / Exe II
- GOST R-Exe IIU
- GOST K- Approved for use in Kazakhstan

For full technical specification, see Page32

TERMINAL CAPACITY

Terminal Type	Conductor Size (mm ²)		Max. Volts	Max. Physical Terminal Content		Reduced Terminal Content at Max. Terminal Amps	
	Min.	Max.		Terminal Qty.	Amps	Terminal Qty.	Amps
WDU 2.5	0.5	2.5	550	126	6	19	17
WDU 4	0.5	4	690	94	9	17	22
WDU 6	0.5	6	550	72	13	15	29
WDU 10	1.5	10	550	56	19	12	40
WDU 16	1.5	16	690	48	25	11	53
WDU 35	2.5	35	690	36	41	8	87
WDU 50	6	50	690	28	56	11	88
WDU 70N	10	70	690	14	90	6	134
WFF 35	2.5	35	1100	11	76	11	76

Notes: For Junction Box Wattage Factor and Combined Terminal Resistance, see Pages 43 & 44
 The box is supplied with an integral internal / external earth stud assembly.
 The terminals listed are restricted to a minimum operating temperature of -50°C.