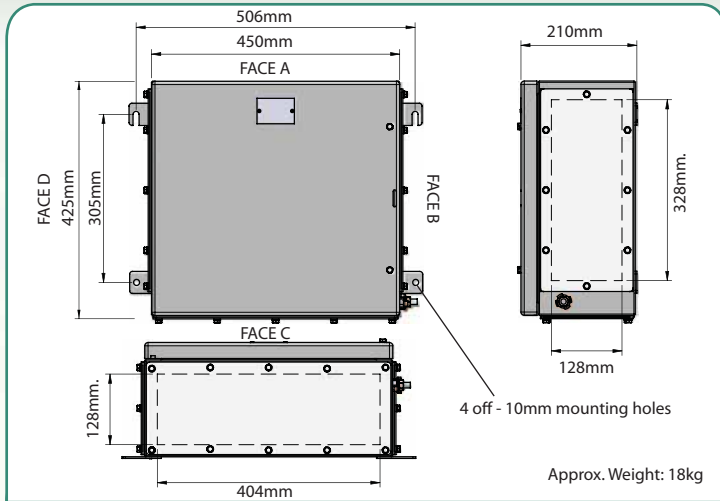


# S Series Enclosures

## Enclosure Type: Size 4L (S4L) Stainless Steel

Increased Safety Exe Dual Certified ATEX / IECEx



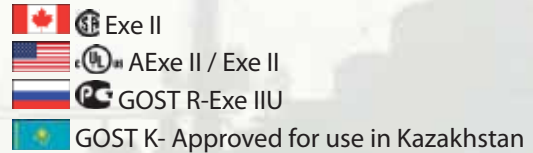
### MAXIMUM QUANTITY OF ENTRIES PER FACE

Thread Size	M16	M20 / O	M20 / A	M25	M32	M40	M50	M63	M75
Bottom Face C Qty.	44 #	42	32	26	14	11	6	4	3
Side Faces B & D Qty.	26 #	18	18	11	6	5	4*	2	1

# Serrated Washers / Locknuts with large outside diameters may foul on adjacent glands.  
\* Serrated Washers / Locknuts must not foul on aperture wall.

### Technical Data

- Increased Safety Exe II 2 GD Exe II ExtD.
- Size 4L (S4L) Certificate No's: Baseefa08ATEX0208X and IECEx BAS 08.0065X.
- Z Size 4L (ZS4L) Certificate No's: Baseefa08ATEX0207U and IECEx BAS 08.0064U.
- Suitable for use in Zone 1, Zone 2, Zone 21 and Zone 22.
- Construction and Test Standards: IEC/EN 60079-0, IEC/EN 60079-7, IEC/EN 61241-0 and IEC/EN 61241-1.
- Ingress Protection: IP66 to IEC/EN 60529.
- Deluge Protection to DTS01.
- Operating Temperature Range: -60°C to +80°C.
- Temperature Class and Ambient: T6 40°C, optional T5 with ambients up to 65°C.
- Size 4L (S4L) Assembly Instruction Sheet: AI 266.
- Z Size 4L (ZS4L) Assembly Instruction Sheet: AI 267.
- Alternative certification options available:



**For full technical specification, see Page 32**

### TERMINAL CAPACITY

Terminal Type	Conductor Size (mm <sup>2</sup> )		Max. Volts	Max. Physical Terminal Content		Reduced Terminal Content at Max. Terminal Amps	
	Min.	Max.		Terminal Qty.	Amps	Terminal Qty.	Amps
WDU 2.5	0.5	2.5	550	252	4	19	17
WDU 4	0.5	4	690	188	6	18	22
WDU 6	0.5	6	550	144	9	15	29
WDU 10	1.5	10	550	112	13	13	40
WDU 16	1.5	16	690	96	18	11	53
WDU 35	2.5	35	690	72	30	8	87
WDU 50	6	50	690	60	39	11	88
WDU 70N	10	70	690	45	52	7	134
WDU <b>70 / 95</b>	16	70	690	11	100	6	134
WDU <b>70 / 95</b>	16	95	690	11	116	8	134
WDU <b>120 / 150</b>	35	120	690	9	139	6	162
WDU <b>120 / 150</b>	35	150	690	9	148	8	153
WFF 35	2.5	35	1100	22	58	13	76
WFF 70	2.5	70	1100	9	116	9	116
WFF 120	6	120	1100	7	163	7	162

Notes: For Junction Box Wattage Factor and Combined Terminal Resistance, see Pages 43 & 44  
The box is supplied with an integral internal / external earth stud assembly.  
The terminals listed are restricted to a minimum operating temperature of -50°C.