

L85EX-G-AC


Explosion proof LED helideck perimeter light

A new generation of explosion proof LED helideck perimeter lights to meet the demanding requirements of offshore environmental conditions. The design is based on low power long life LED technology and use of stainless steel. These fittings meet the regulatory requirements for ICAO, CAP437 and IMO.

Key features

- Reliable helideck perimeter light
- Low cost of ownership
- Low power consumption
- Serviceable unit, parts are interchangeable
- Certified for Zone 1 areas with increased gas explosion hazard
- Compact design, meeting the max. 150 mm height restrictions of IMO
- Intensity main beam 30 cd green
- Impact resistant dome and stainless steel 316 body
- Spacious, easy to open cable connection compartment
- Photometric test of independent institution

Standards/Certification

- Certified to CAA-UK CAP 437; Offshore helicopter landing areas - Guidance on standards, May 2012 chapter 4, paragraph 3.1
- Complies with IMO standard (International Maritime Organisation), MODU code 2009 (Edition 2010), chapter 13.5.20
- Complies with ICAO Annex 14, Volume II; International standards and recommended practices: Aerodromes, Amendment 3, Nov. 2009, chapter 5.3.8
- Cenelec EN 60079-0, EN 60079-7 and EN 60079-18
- SIRA 12ATEX3066 X; ATEX  II 2G Ex e mb IIC T4 Gb according to ATEX Directive 94/9/EC
- Cenelec IEC 60079-0, IEC 60079-7 and IEC 60079-18
- IECEx SIR 12.0026 X; Ex e mb IIC T4 Gb

Performance characteristics

- Steady burning light; green
- Intensity: 30 cd (60 cd maximum)
- Horizontal beam coverage: 360°
- Vertical beam profile: as per CAP437 table
- Colour chromaticity within the boundaries as specified by ICAO
- Light source: LED Approx. 100,000 hours life expectancy

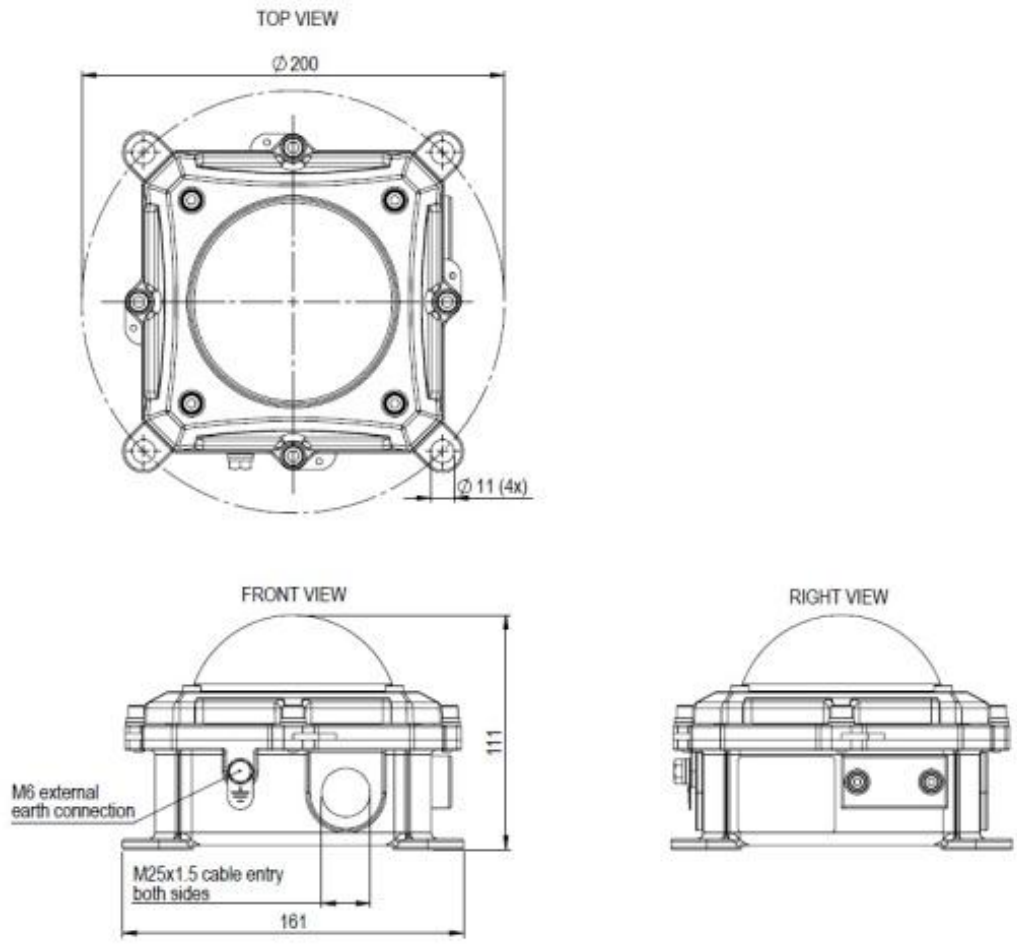
Electrical characteristics

- Operating voltage: 100-254 Vac; 50-60 Hz
- Power consumption: 4.5W (6VA)
- Connection details: max. 4 mm²; two M25x1.5 cable entries
- Earth connection: internal 4-6 mm² and external M6

Physical characteristics

- Dimensions (L x W x H): 161 x 161 x 111 mm
- Weight: 3.6 kg
- Design degree of protection: IP66
- Operating temperature range: -50°C to +45°C
- Stainless steel body and impact resistant dome
- Quick opening for cable connection by 4 stainless steel retaining bolts





Orga BV
Streekdreef 13
3125 AX SCHIEDAM
The Netherlands

P.O. Box 3546
3101 EA SCHIEDAM
The Netherlands

T +31 (0)10 205 5555
F +31 (0)10 437 8445
info@orga.nl
www.orga.nl