

L85EX-G-AC-RE

Recessed explosion proof green LED helideck perimeter light

A new generation of recessed explosion proof LED helideck perimeter lights to meet the demanding requirements of offshore environmental conditions. The design is based on low power long life LED technology and use of stainless steel. These fittings meet the regulatory requirements for ICAO, CAP437 and IMO.



Key features

- Reliable recessed mounted helideck perimeter light
- Low cost of ownership
- Low power consumption
- Serviceable unit, parts are interchangeable
- Certified for Zone 1 and 2 areas with increased gas explosion hazard
- Compact design, meeting the maximum 50 mm height restrictions of IMO
- Intensity main beam 30cd green (CAP437)
- Impact resistant dome and stainless steel 316 body
- Spacious, cable connection compartment
- Photometric test of independent institution

Standards/Certification

- Certified to CAA-UK CAP 437; Offshore helicopter landing areas - Guidance on standards, 7th edition, chapter 4, paragraph 3.1
- Certified to IMO standard MODU code; 2009 (Edition 2010), chapter 13.5.21
- Certified to ICAO Annex 14, International standards and recommended practices: Aerodromes, Volume II - Heliports; 4th edition, July 2013, chapter 5.3.9
- Cenelec EN 60079-0, EN 60079-7 and EN 60079-18
- SIRA 12ATEX3066; ATEX $\text{Ex II 2G Ex e mb IIC T4 Gb}$ according to ATEX Directive 94/9/EC
- IEC 60079-0, IEC 60079-7 and IEC 60079-18
- IECEx SIR 12.0026; Ex e mb IIC T4 Gb

Performance characteristics

- Steady burning; green
- Intensity: 30cd (60cd maximum)
- Horizontal beam coverage: 360°
- Vertical beam profile: as per CAP437 table
- Colour chromaticity within the boundaries as specified by ICAO
- Light source: LED (100,000 hours average life)

Electrical characteristics

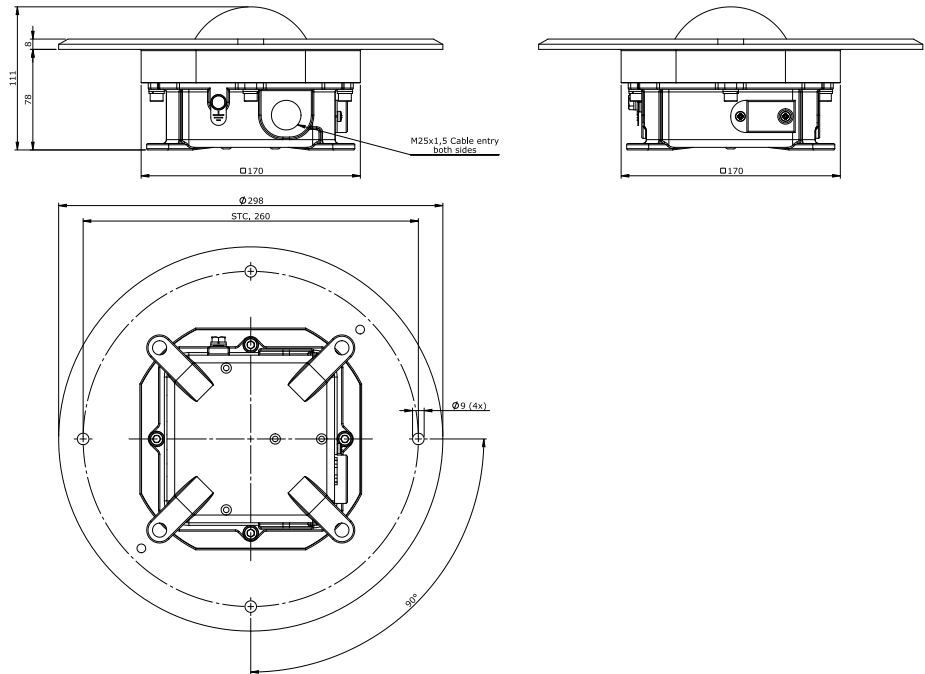
- Operating voltage: 100-254Vac; 50-60Hz
- Power consumption: 4.5W (6VA)
- Connection details: M4; two M25x1.5 cable entries
- Earth connection: internal M4 and external M6

Physical characteristics

- Dimensions ($\text{Ø} \times \text{H}$): $\text{Ø}298 \times 111 \text{mm}$
- Weight: 9.1kg
- Design degree of protection: IP66
- Operating temperature range: -50°C to $+45^{\circ}\text{C}$
- Stainless steel flange, body and impact resistant dome

L85EX-G-AC-RE

Recessed explosion proof green LED helideck perimeter light



Orga BV
Strickledeweg 13
3125 AT SCHIEDAM
The Netherlands

P.O. Box 3046
3101 EA SCHIEDAM
The Netherlands

T +31 (0)10 208 5555
F +31 (0)10 437 8445
info@orga.nl
www.orga.nl