

## L85EX-G-DC

Explosion proof green LED helideck perimeter light

**A new generation of explosion proof LED helideck perimeter lights to meet the demanding requirements of offshore environmental conditions. The design is based on low power long life LED technology and use of stainless steel. These fittings meet the regulatory requirements for ICAO, CAP437 and IMO.**



### Key features

- Reliable helideck perimeter light
- Low cost of ownership
- Low power consumption
- Serviceable unit, parts are interchangeable
- Certified for Zone 1 areas with increased gas explosion hazard
- Compact design, meeting the maximum 250 mm height restrictions of IMO
- Intensity main beam 30cd green (CAP437)
- Impact resistant dome and stainless steel 316 body
- Spacious, easy to open cable connection compartment
- Photometric test of independent institution

### Standards/Certification

- Certified to CAA-UK CAP 437; Offshore helicopter landing areas - Guidance on standards, 7th edition, chapter 4, paragraph 3.1
- Certified to IMO standard MODU code; 2009 (Edition 2010), chapter 13.5.21
- Certified to ICAO Annex 14, International standards and recommended practices: Aerodromes, Volume II - Heliports; 4th edition, July 2013, chapter 5.3.9
- Cenelec EN 60079-0, EN 60079-7 and EN 60079-18
- SIRA 12ATEX3066; ATEX  $\text{Ex II 2G Ex e mb IIC T4 Gb}$  according to ATEX Directive 94/9/EC
- IEC 60079-0, IEC 60079-7 and IEC 60079-18
- IECEx SIR 12.0026;  $\text{Ex e mb IIC T4 Gb}$

### Performance characteristics

- Steady burning; green
- Intensity: 30cd (60cd maximum)
- Horizontal beam coverage: 360°
- Vertical beam profile: as per CAP437 table
- Colour chromaticity within the boundaries as specified by ICAO
- Light source: LED (100,000 hours average life)

### Electrical characteristics

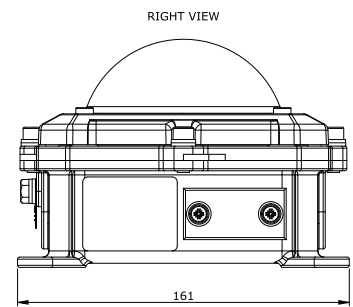
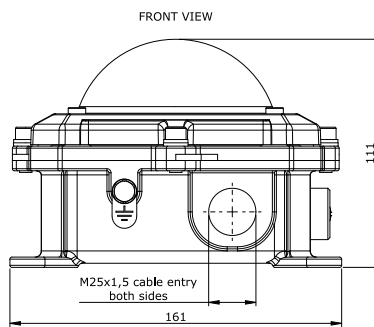
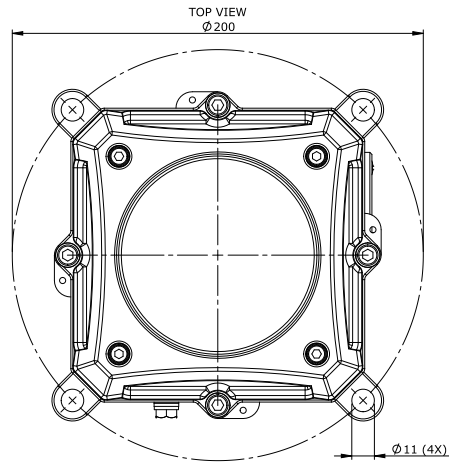
- Operating voltage: 20-30Vdc
- Power consumption: 4W
- Connection details: M4; two M25x1.5 cable entries
- Earth connection: internal M4 and external M6

### Physical characteristics

- Dimensions (L x W x H): 161 x 161 x 111 mm
- Weight: 3.6kg
- Design degree of protection: IP66
- Operating temperature range: -50°C to +45°C
- Stainless steel body and impact resistant dome
- Quick opening for cable connection by 4 stainless steel retaining bolts

# L85EX-G-DC

Explosion proof green LED helideck perimeter light



Orga BV  
Strickledeweg 13  
3125 AT SCHIEDAM  
The Netherlands

P.O. Box 3046  
3101 EA SCHIEDAM  
The Netherlands

T +31 (0)10 208 5555  
F +31 (0)10 437 8445  
info@orga.nl  
www.orga.nl