

## L85EX-R-AC-32

Explosion proof 32cd red aeronautical obstruction light


**A new generation of LED low intensity aeronautical obstruction lights to meet the demanding requirements of offshore environmental conditions. The design is based on low power long life LED technology and use of stainless steel. These fittings meet the regulatory requirements for ICAO and IMO.**



### Key features

- Reliable low intensity aeronautical obstruction light
- Low cost of ownership
- Low power consumption
- Serviceable unit, parts are interchangeable
- Certified for Zone 1 areas with increased gas explosion hazard
- Compact design
- Impact resistant dome and stainless steel body
- Photometric test of independent institution
- Spacious, easy to open cable connection compartment

### Standards/Certification

- Certified to ICAO Annex 14, volume I; International standards and recommended practices: Aerodrome design and operations, 5th Edition, November 2009, chapter 6.3.2 – Type A low intensity obstacle light
- Certified to IMO standard (International Maritime Organisation), MODU code; 2009 (Edition 2010), chapter 13.5.24
- Cenelec EN 60079-0, EN 60079-7 and EN 60079-18
- SIRA 12ATEX3066; ATEX  II 2G Ex e mb IIC T4 Gb according to ATEX Directive 94/9/EC
- IEC 60079-0, IEC 60079-7 and IEC 60079-18
- IECEx SIR 12.0026; Ex e mb IIC T4 Gb

### Performance characteristics

- Steady burning; red
- Intensity: 32cd minimum (all angles above horizon)
- Horizontal coverage: 360°
- Vertical beam profile: As per ICAO
- Red light, chromaticity within the boundaries as specified by ICAO
- Light source: LED (100,000 hours average life)

### Electrical characteristics

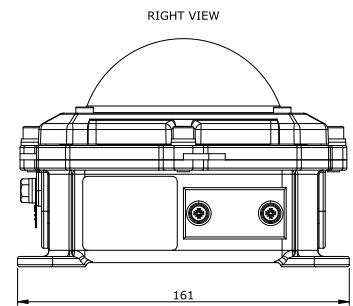
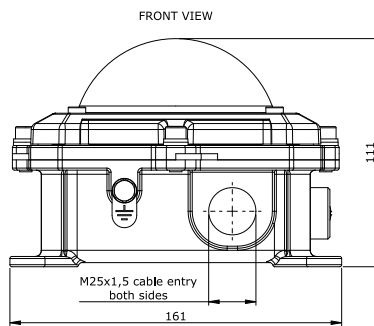
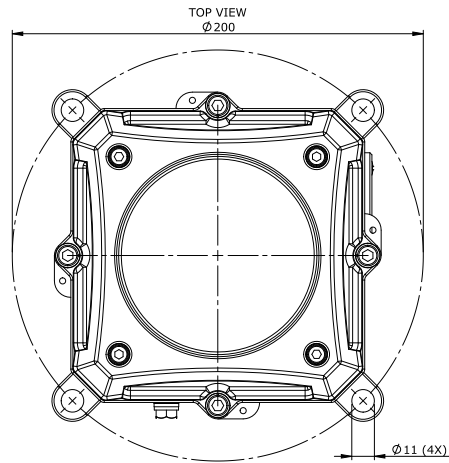
- Operating voltage: 100-254Vac ; 50-60Hz
- Power consumption: 5.5W (7VA)
- Connection details: M4; two M25x1.5 cable entries
- Earth connection: internal M4 and external M6

### Physical characteristics

- Dimensions (L x W x H): 161 x 161 x 111 mm
- Weight: 3.6kg
- Design degree of protection: IP66
- Operating temperature range: -50°C to +45°C
- Stainless steel body and impact resistant dome
- Quick opening for cable connection by 4 stainless steel retaining bolts

# L85EX-R-AC-32

Explosion proof 32cd red aeronautical obstruction light



Orga BV  
Strickledeweg 13  
3125 AT SCHIEDAM  
The Netherlands

P.O. Box 3046  
3101 EA SCHIEDAM  
The Netherlands

T +31 (0)10 208 5555  
F +31 (0)10 437 8445  
info@orga.nl  
www.orga.nl