

L85EX-R-DC-10

Explosion proof 10cd red aeronautical obstruction light

A new generation of LED low intensity aeronautical obstruction lights to meet the demanding requirements of offshore environmental conditions. The design is based on low power long life LED technology and use of stainless steel. These fittings meet the regulatory requirements for ICAO, CAP437/168, the Mining regulations of the Netherlands and IMO.



Key features

- Reliable low intensity aeronautical obstruction light
- Low cost of ownership
- Low power consumption
- Serviceable unit, parts are interchangeable
- Certified for Zone 1 areas with increased gas explosion hazard
- Compact design
- Impact resistant dome and stainless steel body
- Spacious, easy to open cable connection compartment

Standards/Certification

- Certified to ICAO Annex 14, volume I; 5th Edition, November 2009, chapter 6.3.2 – Type A low intensity obstacle light
- Certified to IMO standard MODU code; 2009 (Edition 2010), chapter 13.5.24
- Certified to CAA-UK CAP 437; Offshore helicopter landing areas - Guidance on standards, 7TH edition, chapter 4, paragraph 4.3
- Complies with CAA-UK CAP 168; July 2010, chapter 4, paragraph 12.8.1a, 12.10.2, 12.11.3 and table 6A.1.11 – Low intensity aeronautical obstruction light - Group A
- Certified to Mining regulations of the Netherlands; 2002, article 5.5
- Cenelec EN 60079-0, EN 60079-7 and EN 60079-18
- SIRA 12ATEX3066; ATEX $\text{II 2G Ex e mb IIC T4 Gb}$ according to ATEX Directive 94/9/EC
- IEC 60079-0, IEC 60079-7 and IEC 60079-18
- IECEx SIR 12.0026; Ex e mb IIC T4 Gb

Performance characteristics

- Steady burning; red
- Intensity: 10cd minimum
- Horizontal coverage: 360°
- Vertical beam profile: Visible from any point above the horizon
- Red light, chromaticity within the boundaries as specified by ICAO
- Light source: LED (100,000 hours average life)

Electrical characteristics

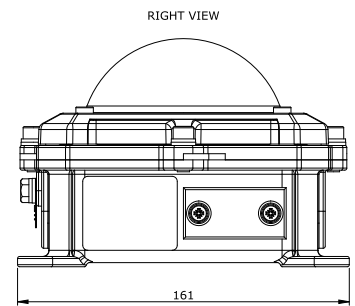
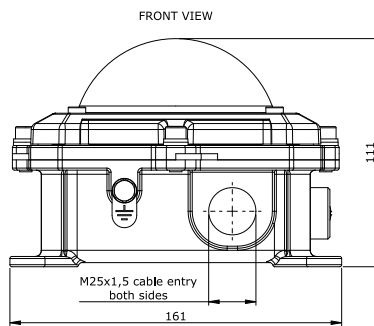
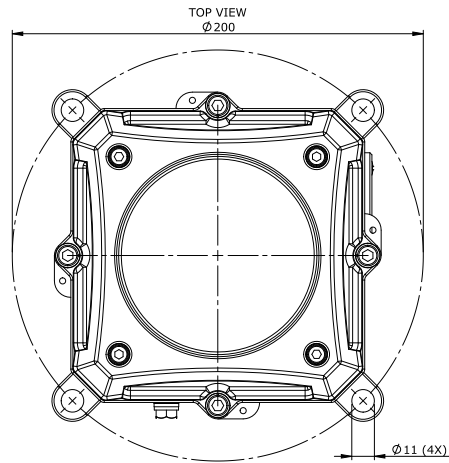
- Operating voltage: 20-30Vdc
- Power consumption: 2W
- Connection details: M4; two M25x1.5 cable entries
- Earth connection: internal M4 and external M6

Physical characteristics

- Dimensions (L x W x H): 161 x 161 x 111mm
- Weight: 3.6kg
- Design degree of protection: IP66
- Operating temperature range: -50°C to +45°C
- Stainless steel body and impact resistant dome
- Quick opening for cable connection by 4 stainless steel retaining bolts

L85EX-R-DC-10

Explosion proof 10cd red aeronautical obstruction light



Orga BV
Strickledeweg 13
3125 AT SCHIEDAM
The Netherlands

P.O. Box 3046
3101 EA SCHIEDAM
The Netherlands

T +31 (0)10 208 5555
F +31 (0)10 437 8445
info@orga.nl
www.orga.nl