

L85EX-R-DC-200

Explosion proof 200cd red aeronautical obstruction light

A new generation of LED low intensity aeronautical obstruction lights to meet the demanding requirements of offshore environmental conditions. The design is based on low power long life LED technology and use of stainless steel. These fittings meet the regulatory requirements for CAP437/168.



Key features

- Reliable low intensity aeronautical obstruction light
- Low cost of ownership
- Low power consumption
- Serviceable unit, parts are interchangeable
- Certified for Zone 1 and 2 areas with increased gas explosion hazard
- Compact design
- Impact resistant dome and stainless steel 316 body
- Spacious, easy to open cable connection compartment

Standards/Certification

- Complies with CAA-UK CAP 437; Offshore helicopter landing areas - Guidance on standards, 7TH edition Feb 2013, chapter 4, paragraph 4.4
- Cenelec EN 60079-0, EN 60079-7 and EN 60079-18
- SIRA 12ATEX3066; ATEX Ex e mb IIC T4 Gb according to ATEX Directive 94/9/EC
- IEC 60079-0, IEC 60079-7 and IEC 60079-18
- IECEx SIR 12.0026; Ex e mb IIC T4 Gb

Performance characteristics

- Steady burning; red
- Intensity: 200cd minimum (between 5° - 8°) and 50cd minimum (between 0° - 15°)
- Horizontal coverage: 360°
- Vertical beam profile: as per CAP168 Chapter 4 and Appendix 6, Table 6A.1, Group B
- Red light, chromaticity within the boundaries as specified by ICAO
- Light source: LED (100,000 hours average life)

Electrical characteristics

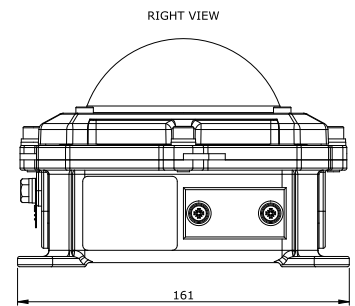
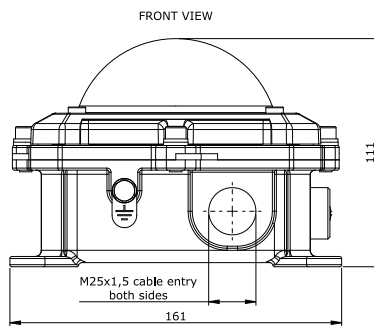
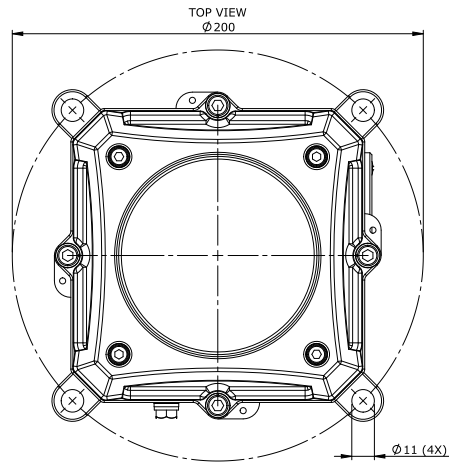
- Operating voltage: 20-30Vdc
- Power consumption: 7,5W
- Connection details: M4; two M25x1.5 cable entries
- Earth connection: internal M4 and external M6

Physical characteristics

- Dimensions (L x W x H): 161 x 161 x 111mm
- Weight: 3.6kg
- Design degree of protection: IP66
- Operating temperature range: -50°C to +40°C
- Stainless steel body and impact resistant dome
- Quick opening for cable connection by 4 stainless steel retaining bolts

L85EX-R-DC-200

Explosion proof 200cd red aeronautical obstruction light



Orga BV
Strickledeweg 13
3125 AT SCHIEDAM
The Netherlands

P.O. Box 3046
3101 EA SCHIEDAM
The Netherlands

T +31 (0)10 208 5555
F +31 (0)10 437 8445
info@orga.nl
www.orga.nl