

L85EX-R-DC-50

Explosion proof 50cd red aeronautical obstruction light

A new generation of LED low intensity aeronautical obstruction lights to meet the demanding requirements of offshore environmental conditions. The design is based on low power long life LED technology and use of stainless steel



Key features

- Reliable low intensity aeronautical obstruction light
- Low cost of ownership
- Low power consumption
- Serviceable unit, parts are interchangeable
- Certified for Zone 1 areas with increased gas explosion hazard
- Compact design
- Impact resistant dome and stainless steel body
- Spacious, easy to open cable connection compartment

Standards/Certification

- Cenelec EN 60079-0, EN 60079-7 and EN 60079-18
- SIRA 12ATEX3066; ATEX Ⓜ II 2G Ex e mb IIC T4 Gb according to ATEX Directive 94/9/EC
- IEC 60079-0, IEC 60079-7 and IEC 60079-18
- IECEx SIR 12.0026; Ex e mb IIC T4 Gb

add chapter

- Steady burning; red
- Intensity: 50cd
- Horizontal coverage: 360°
- Vertical beam profile: Visible from any point above the horizon
- Red light, chromaticity within the boundaries as specified by ICAO
- Light source: LED (100,000 hours average life)

Electrical characteristics

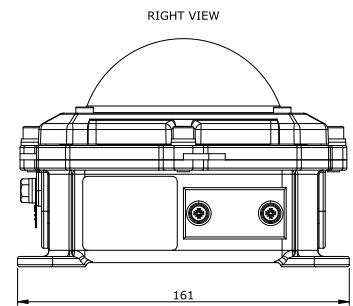
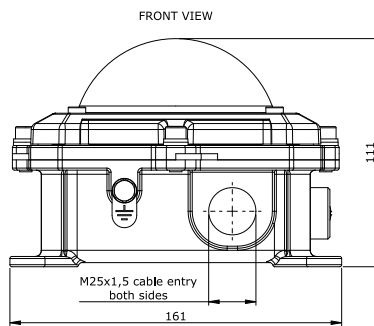
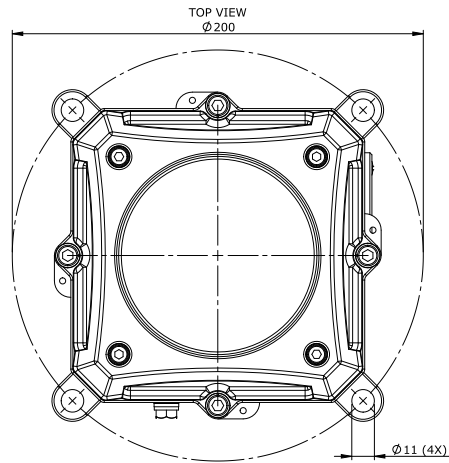
- Operating voltage: 20-30Vdc
- Power consumption: 7,5W
- Connection details: M4; two M25x1.5 cable entries
- Earth connection: internal M4 and external M6

Physical characteristics

- Dimensions (L x W x H): 161 x 161 x 111mm
- Weight: 3.6kg
- Design degree of protection: IP66
- Operating temperature range: -50°C to +40°C
- Stainless steel body and impact resistant dome
- Quick opening for cable connection by 4 stainless steel retaining bolts

L85EX-R-DC-50

Explosion proof 50cd red aeronautical obstruction light



Orga BV
Strickledeweg 13
3125 AT SCHIEDAM
The Netherlands

P.O. Box 3046
3101 EA SCHIEDAM
The Netherlands

T +31 (0)10 208 5555
F +31 (0)10 437 8445
info@orga.nl
www.orga.nl